



# **AIR CURTAIN**

**UCA-315Y UCA-415Y**

**UCA-515Y UCA-615Y**

## **Installation Manual**

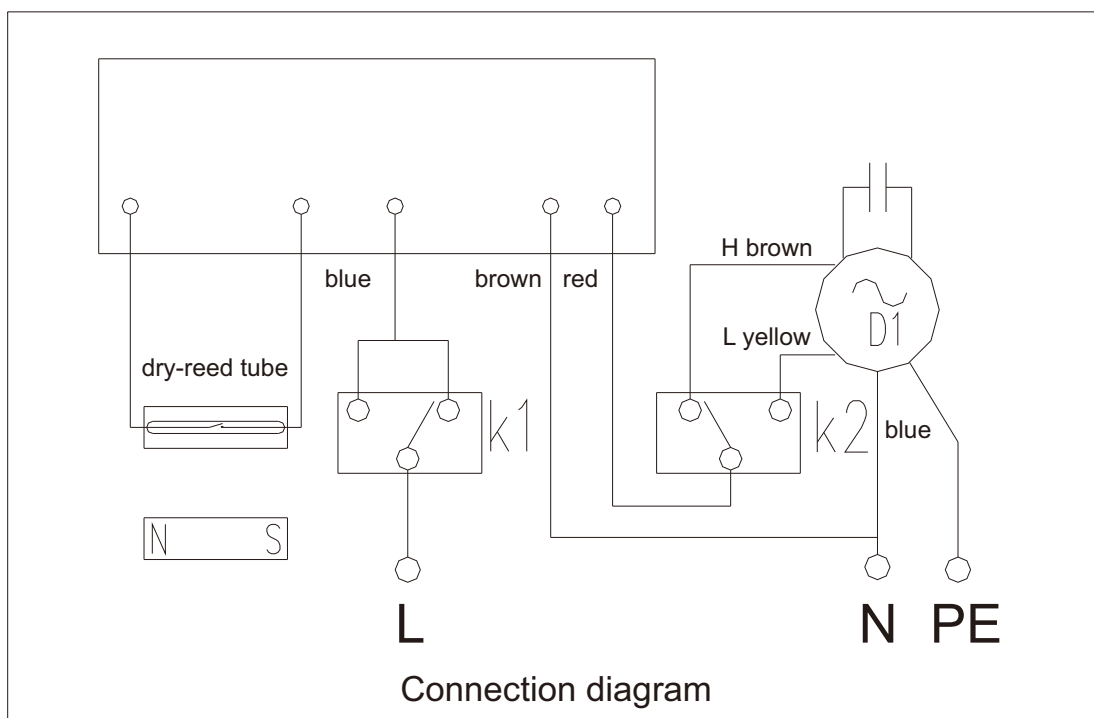
Please read the instructions carefully before use

# Ucool AIR CURTAIN

Ucool air curtain UCA-315Y,415Y,515Y,615Y is driven by high performance motor, quiet sirocco fan system and streamline-casing which give super high out-let velocity, quiet operation and energy efficiency. With sleek and unique enclosed front louver design, it can perfectly match with interior design.

Ucool air curtain is an “invisible door” with shut-out function for indoor heating/cooling retention efficiency, blocking out unpleasant dust, fumes and odors; zoning function for separating air conditioning zone & non-air conditioning zone, smoking and non-smoking area; circulation function. It is ideal for shops, restaurants, warehouse, factory, shopping mall, theatre, conference hall, bowling alleys, lounge, lobby etc.

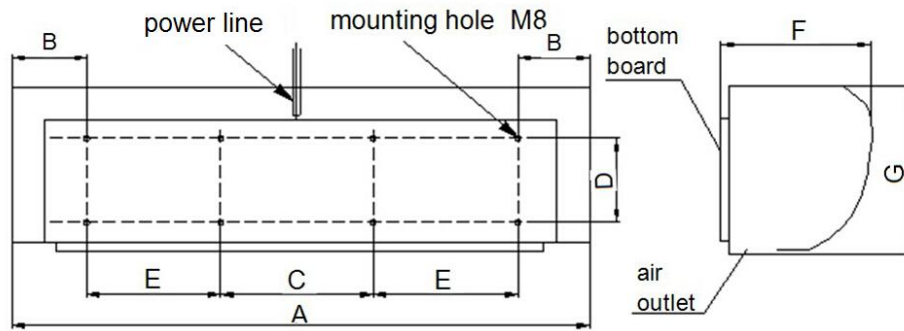
## WIRING DIAGRAM



## SPECIFICATION (220-240V/ 50Hz)

Model No.	Size (mm)	LOW					HIGH				
		Current (A)	Power (W)	Outlet Velocity (m/s)	Noise (dBA)	Air Volume (CFM)	Current (A)	Power (W)	Outlet Velocity (m/s)	Noise (dBA)	Air Volume (CFM)
UCA-315Y	900	1.05	230	14.5	≤43	596	1.41	310	18.0	≤46	740
UCA-415Y	1200	1.41	310	14.5	≤45	795	1.82	400	18.0	≤47	988
UCA-515Y	1500	1.75	385	14.5	≤48	994	2.32	510	18.0	≤50	1235
UCA-615Y	1800	2.11	465	14.5	≤51	1193	2.73	600	18.0	≤53	1482

## UNIT DIMENSION



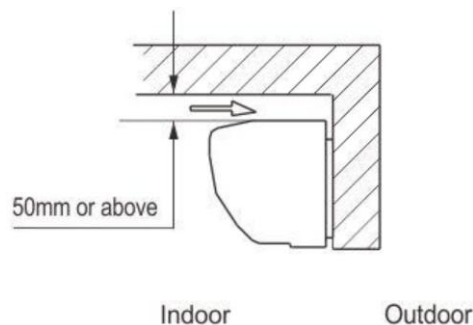
Model	A	B	C	D	E	G	F
UCA-315Y	900	105	230	120	230	230	212
UCA-415Y	1200	105	330	120	330	230	212
UCA-515Y	1500	105	330	120	330	230	212
UCA-615Y	1800	105	400	400	400	230	212

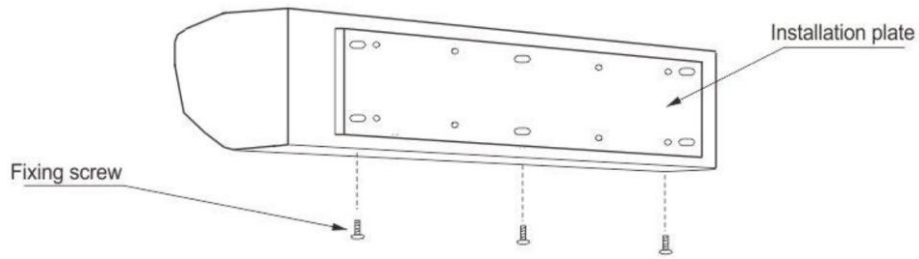
## INSTALLATION METHOD



**WARNING: Installation and electrical connection must be performed by qualified technician.**

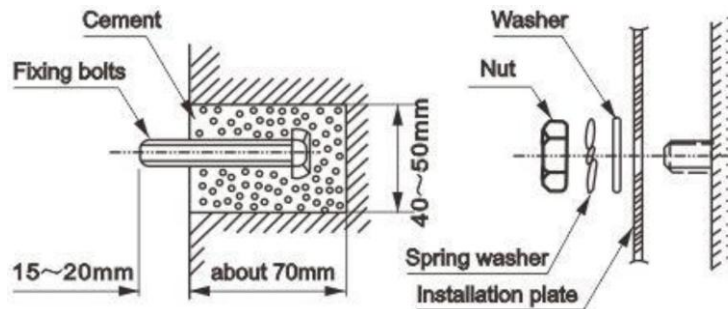
- Accessories: 6 sets of (M8×60L) Fastening bolt, Washer, spring washer, (M8) Nut.
- Ensure the voltage/frequency on rating label is complied with the local power source before use.
- Follow the following diagram for the installation position guidance.
- Coverage height: 3.5m (To install air curtain horizontally).



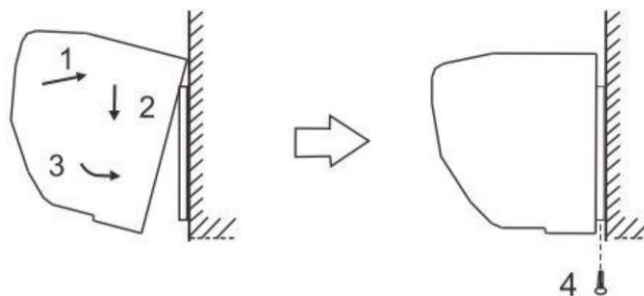


## INSTALLATION ON CONCRETE WALL

1. Take down installation plate.
2. Unscrew the fixing screws and take down installation plate according to the following diagram.
3. Fix the position of installation.
4. Insert the bolts and fill with cement for consolidation.
5. After the cement solidifies, install the installation plate on the bolts and fasten it with washers, spring washers and nuts according to the following diagram.
6. Make sure that installation plate is fixed securely.

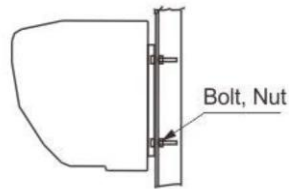


7. Install the body onto the installation plate. Then, tighten the fixing screws according to the following diagram.

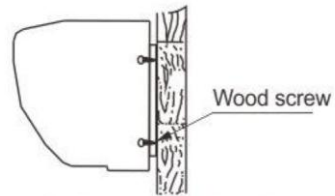


## OTHER INSTALLATION METHODS

8. More than one piece of air curtain with appropriate length can be used to fill up the width of the doorway.
9. Recommended distance between 2 adjacent sets of air curtains is 20 - 40mm.



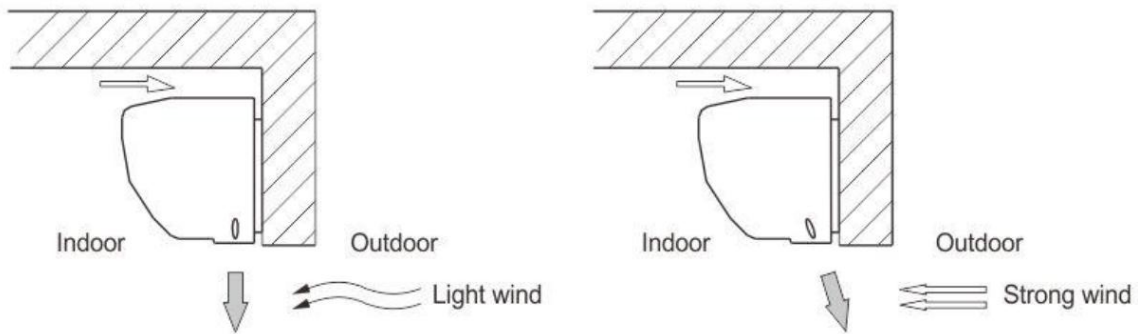
Installation on steel framework



Installation on wooden framework

## OPERATION INSTRUCTIONS

1. Switch on the power.
2. Press the key stroke of OFF, LO, HI on the switch to set speed at OFF, LOW and HIGH.
3. Press relevant function key stroke for remote controlling unit.
4. Adjust air deflector to the preferred positions according to the following diagrams.



## CAUTIONS AND MAINTENANCE

1. Install at location firm enough to secure safety, check the installation quality periodically.
2. Don't install the air curtain at location with water-splash, or with permanent exposure to high temperature and place close to explosive and corrosive gases.
3. Having reliable earthing set when use.
4. In case of damage or breakdown, should consult qualified technician.
5. Clean the air curtain periodically.



**WARNING: Cut off the power supply before cleaning the unit. Do not clean the unit with benzene or corrosive liquid.**